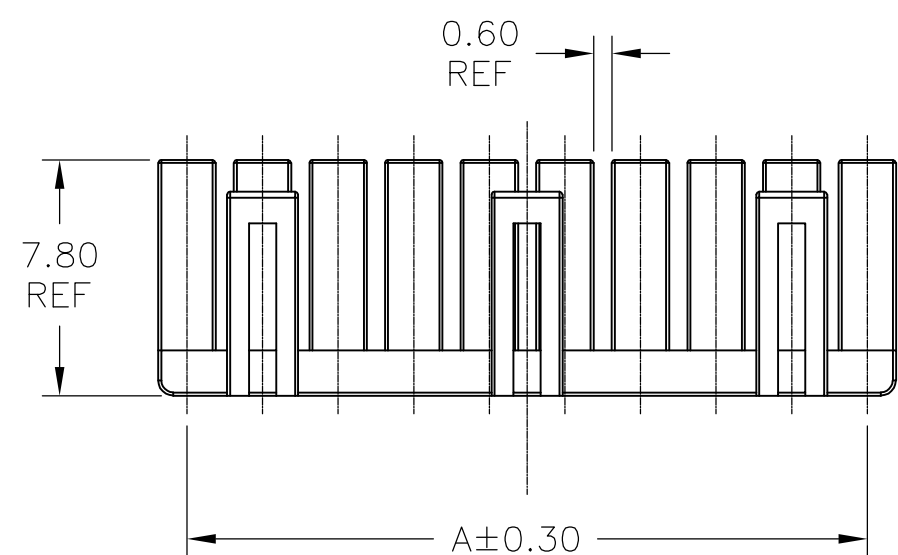
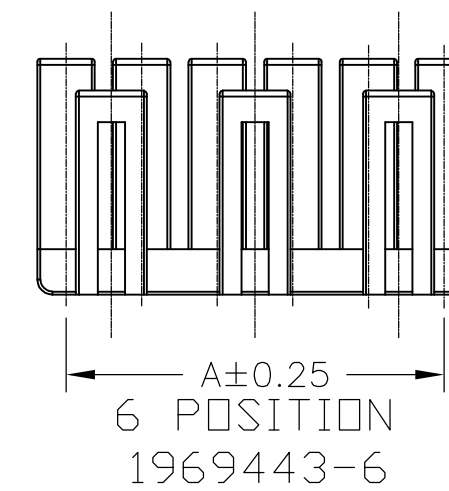
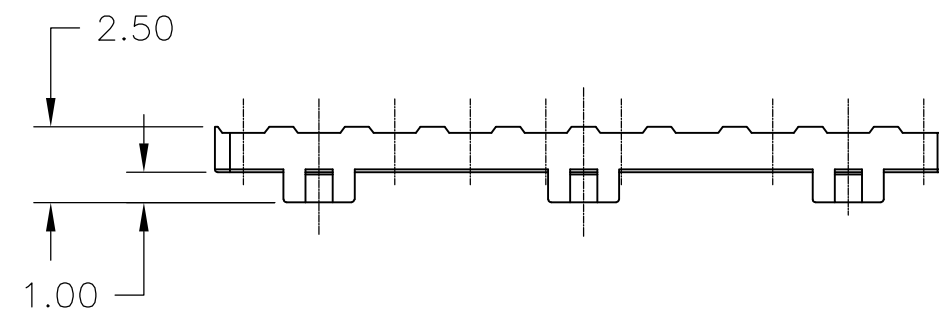
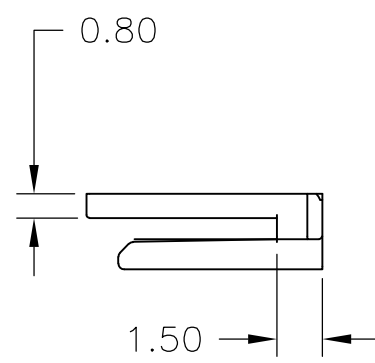
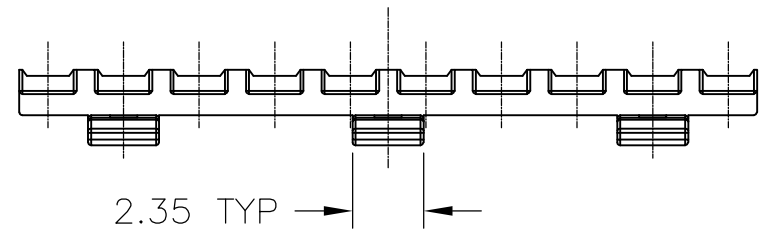
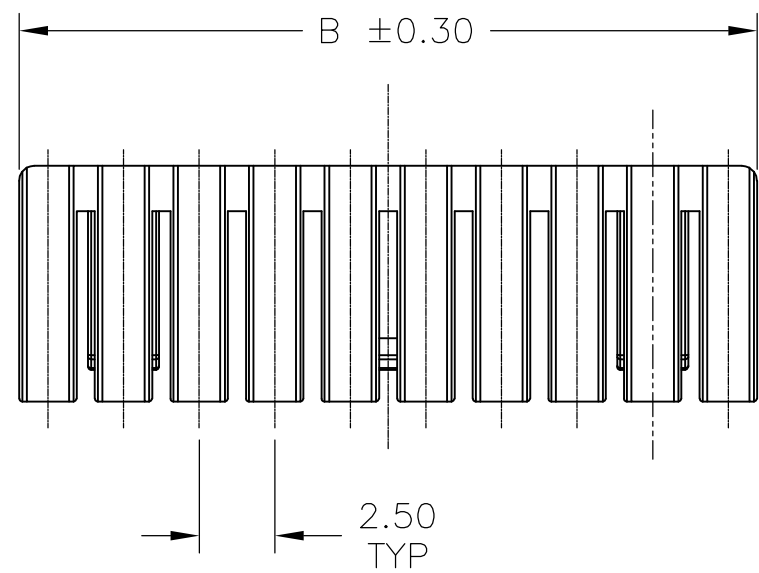


THIS DRAWING IS UNPUBLISHED. RELEASED FOR PUBLICATION  
 © COPYRIGHT - By - ALL RIGHTS RESERVED.

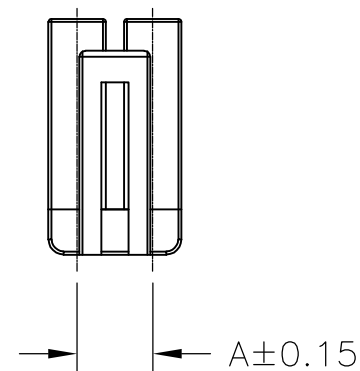
LOC	DIST	REVISIONS			
P	LTR	DESCRIPTION	DATE	DWN	APVD
AF	58	A	RELEASED PER ECO 11-021815	01NOV11	JR GJ

1 MATERIAL:  
 HOUSING - NYLON 66 GLASS FILLED  
 COLOR - BLACK

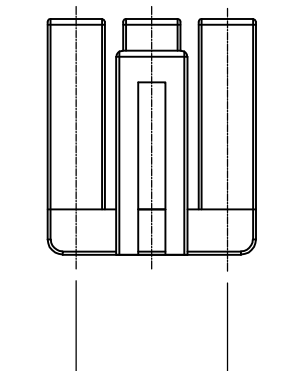
2 MATES WITH TPA HOUSING 1969442-( )



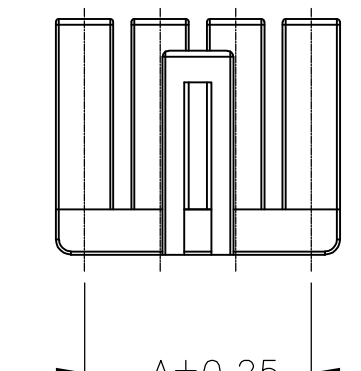
7 THRU 20 POSITION  
 1969443-7 THRU -20



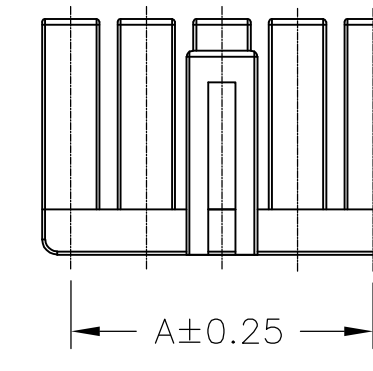
2 POSITION  
 1969443-2



3 POSITION  
 1969443-3

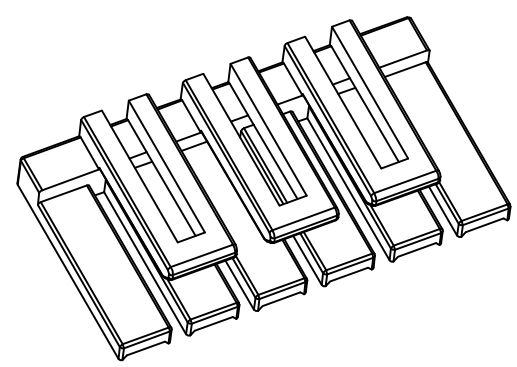


4 POSITION  
 1969443-4



5 POSITION  
 1969443-5

POS	DIM.B	DIM.A	PART NO.
20	49.4	47.5	2-1969443-0
19	46.9	45.0	1-1969443-9
18	44.4	42.5	1-1969443-8
17	41.9	40.0	1-1969443-7
16	39.4	37.5	1-1969443-6
15	36.9	35.0	1-1969443-5
14	34.4	32.5	1-1969443-4
13	31.9	30.0	1-1969443-3
12	29.4	27.5	1-1969443-2
11	26.9	25.0	1-1969443-1
10	24.4	22.5	1-1969443-0
9	21.9	20.0	1969443-9
8	19.4	17.5	1969443-8
7	16.9	15.0	1969443-7
6	14.4	12.5	1969443-6
5	11.9	10.0	1969443-5
4	9.4	7.5	1969443-4
3	6.9	5.0	1969443-3
2	4.4	2.5	1969443-2



THIS DRAWING IS A CONTROLLED DOCUMENT.

DWN: JR RUTH 24MAY2011  
 CHK: GENE JACONO 25MAY11  
 APVD: GENE JACONO 25MAY11

TE Connectivity  
 ECONOMY POWER 2.5 TPA RETAINER

PRODUCT SPEC: 108-2418  
 APPLICATION SPEC: 114-13315

SIZE: A2 CAGE CODE: 00779 DRAWING NO: C=1969443 RESTRICTED TO: -  
 SCALE: 4:1 SHEET: 1 OF 1 REV: A

MATERIAL: NYLON 66 GLASS FILLED  
 FINISH: -

CUSTOMER DRAWING